

LOS RIOS COMMUNITY COLLEGE DISTRICT

1919 Spanos Court, Sacramento, CA 95825
Phone (916) 568-3071 FAX (916) 568-3145
Purchasing Department

Sacramento City College American River College Cosumnes River College Folsom Lake College

ADDENDUM NO. 2

ISSUE DATE: December 11, 2017

DW Ancillary Cooling Design

LRCCD BID NO. 18009

Issued By:

LOS RIOS COMMUNITY COLLEGE DISTRICT
1919 Spanos Court, Sacramento, CA 95825
Phone (916) 568-3071 Fax (916) 568-3145

This addendum forms a part to the Contract Documents. The addendum items supersede and supplement all portions of the bidding documents with which it conflicts. All workmanship, materials, appliances and equipment which may be included in the following addendum items shall be of the same relative quality as described for similar work set forth in the general or main specifications of which these addendum items shall be considered a part.

This Addendum has been acknowledged in the space provided on the Bid Form and is considered part of the bid documents.

This Addendum consists of 4 pages

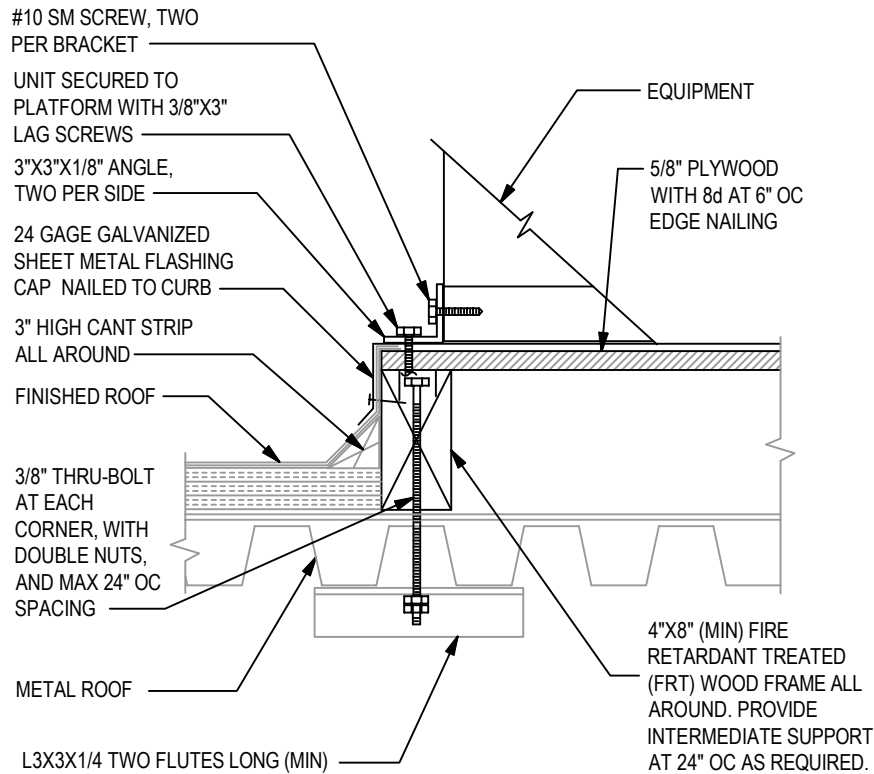
RFI 1: Please provide the contacts for the required roofing companies for each project site to maintain the warranty of the roof.

RESPONSE 1: Los Rios will provide a roofer to do the roofing work.

RFI 2: Please provide a better detail for the concrete pad attachment to the roof structure or approve the installation of the attached Thy-Curbs and show how they will anchor to the roof structure.

RESPONSE 2: In lieu of Thy-Curbs or concrete pads, a wooden equipment pad can be applied to each roof structure type (metal or wood). Details must be confirmed with roofing manufacturer that warranty is still valid upon installation. See attached details RFI2-1 and RFI2-2) for reference.

END OF SECTION.



NOTES:

1. COORDINATE ANCHORAGE AND SUPPORT REQUIREMENTS WITH EXISTING STRUCTURE.
2. INSTALL CONCRETE ANCHORS PER MANUFACTURER'S INSTALLATION REQUIREMENTS.
3. EQUIPMENT PAD TO BE A MINIMUM 6" LARGER THAN EQUIPMENT ON ALL FOUR (4) SIDES.
4. FLOAT SLEEPERS ON TOP OF ROOF WITH A SHEET UNDERNEATH TO PROTECT ROOFING.

ROOF MOUNTED EQUIPMENT PAD METAL STRUCTURE

1

FACILITY NAME
LRCCD
3753 BRADVIEW DRIVE
SACRAMENTO, CA 95827
916.568.3057

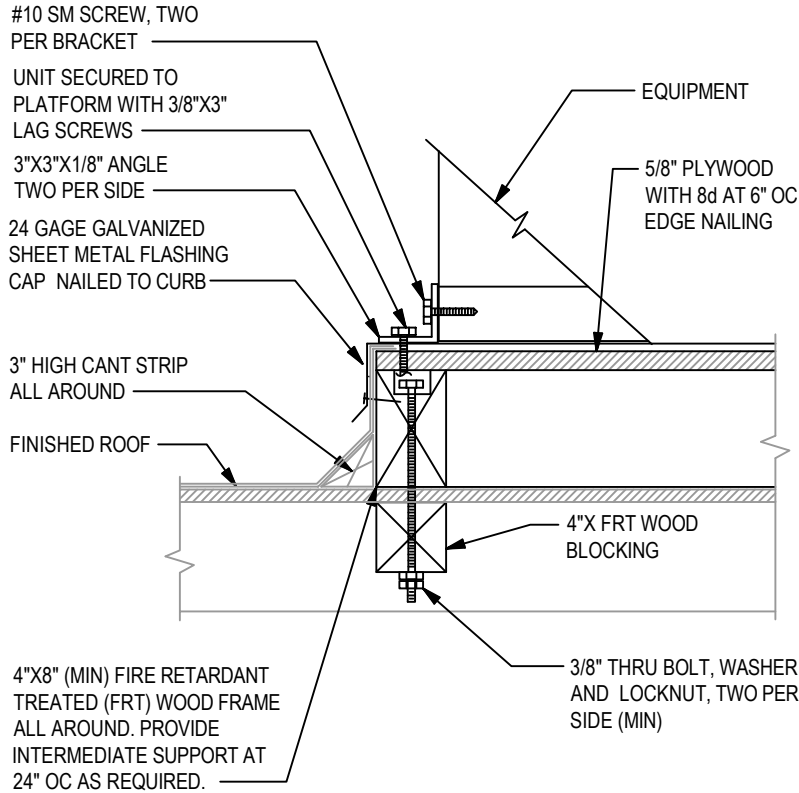
SCALE: AS NOTED DATE: 12/08/2017

SHEET NUMBER

RFI2-1

SHEET TITLE

ROOF MOUNTED EQUIPMENT PAD METAL STRUCTURE



NOTES:

1. COORDINATE ANCHORAGE AND SUPPORT REQUIREMENTS WITH EXISTING STRUCTURE.
2. INSTALL CONCRETE ANCHORS PER MANUFACTURER'S INSTALLATION REQUIREMENTS.
3. EQUIPMENT PAD TO BE A MINIMUM 6" LARGER THAN EQUIPMENT ON ALL FOUR (4) SIDES.
4. FLOAT SLEEPERS ON TOP OF ROOF WITH A SHEET UNDERNEATH TO PROTECT ROOFING.

ROOF MOUNTED EQUIPMENT PAD WOOD STRUCTURE

1

FACILITY NAME
LRCCD
3753 BRADVIEW DRIVE
SACRAMENTO, CA 95827
916.568.3057

SCALE: AS NOTED DATE: 12/08/2017

SHEET NUMBER

RFI2-2

SHEET TITLE

ROOF MOUNTED EQUIPMENT PAD WOOD STRUCTURE